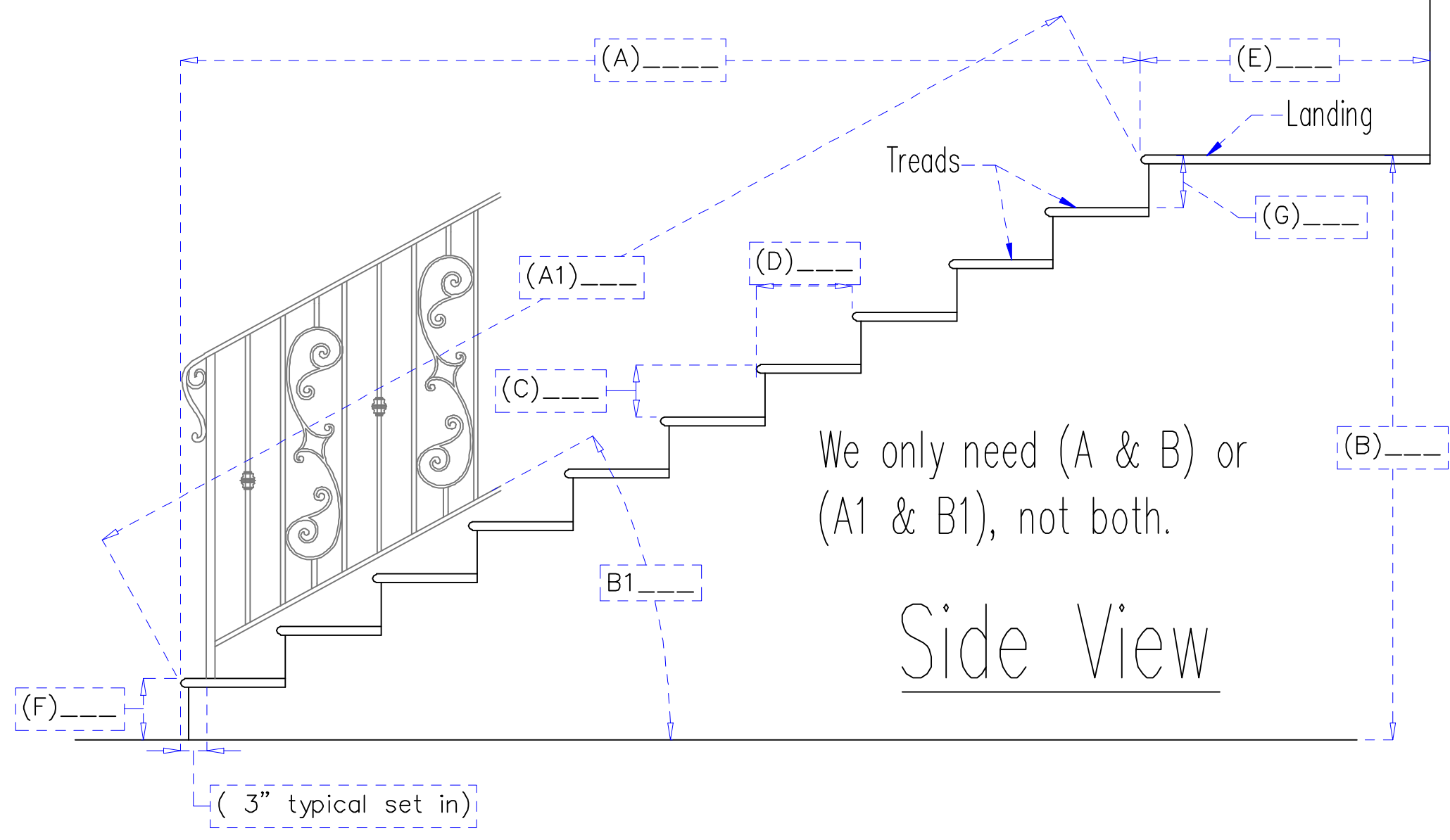
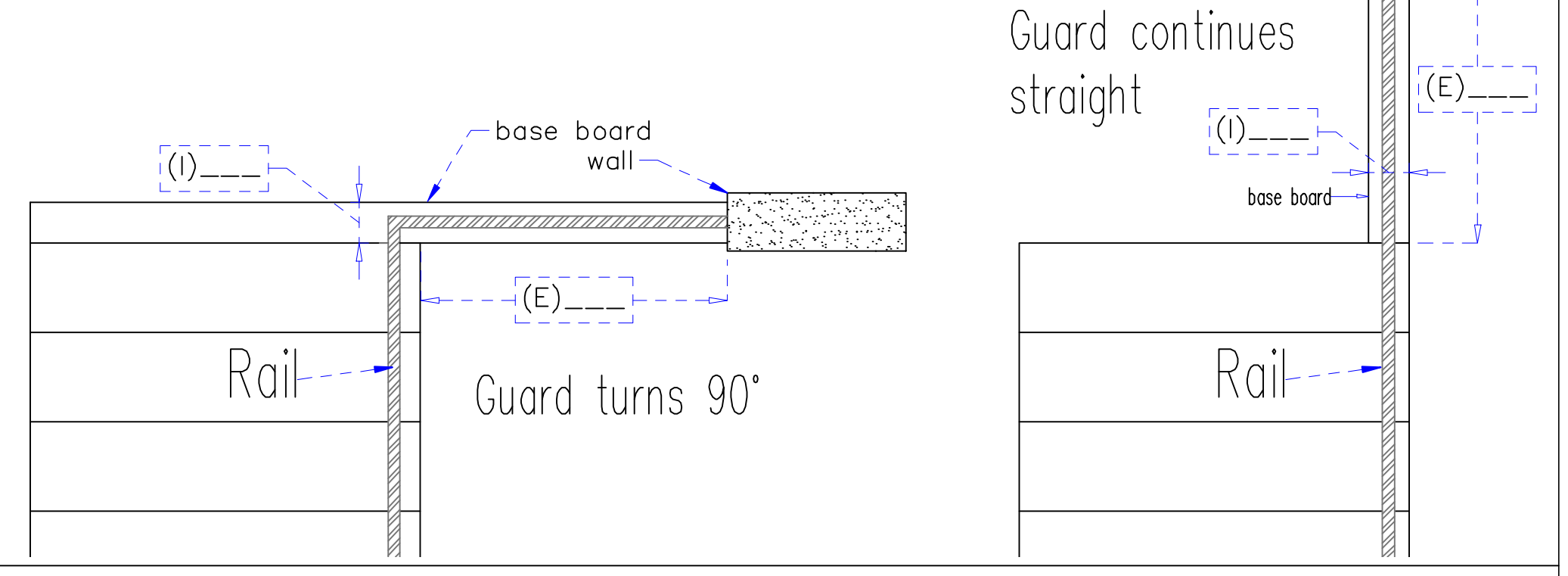


Must Provide # of Treads ____



Top View



Nosing

Trim Detail

Landing

(H)



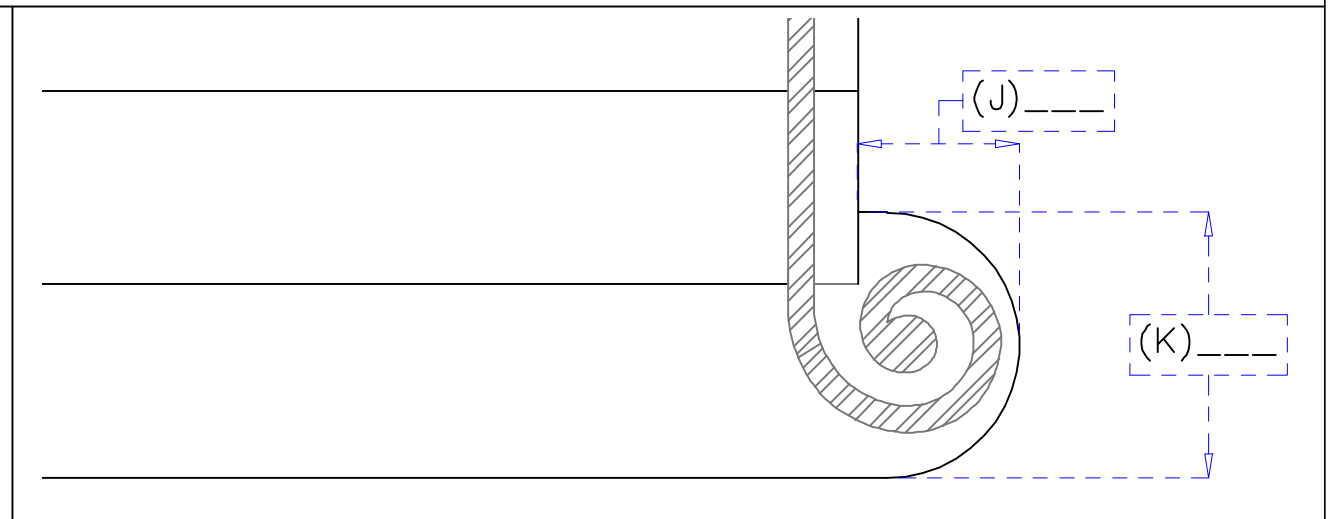
Volute



Lambs Tongue



Lateral

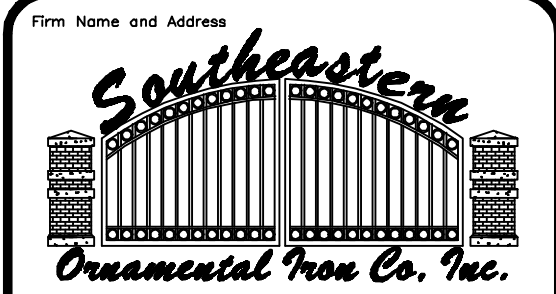


base board
Rail

(I) wall condition

wall

Step Railing
Stair
Measurements



Ph: 904-292-0933
Fx: 904-292-0588
www.SEOIC.com

Please fill in all applicable measurements:

- A. Run Meas./nose to nose _____
- B. Rise Meas./landing to floor _____
- A1. Diagonal/nose to nose _____
- B1. Degree of Stair _____
- C. Riser Heights _____
- D. Tread Widths/nose to nose _____
- E. Guard Meas. (see options) _____
- F. Bottom Riser to Floor _____
- G. Top Riser to Landing _____
- H. Trim Thickness if any _____
- I. Wall Conditions (Provide base board to wall relationship) _____
- J. Bull Nose Tread (Distance out) _____
- K. Bul Nose Tread (width of tread) _____

* If your stair has a different shape (Provide a rough sketch)

* Only A & B or A1 & B1 measurements are necessary.