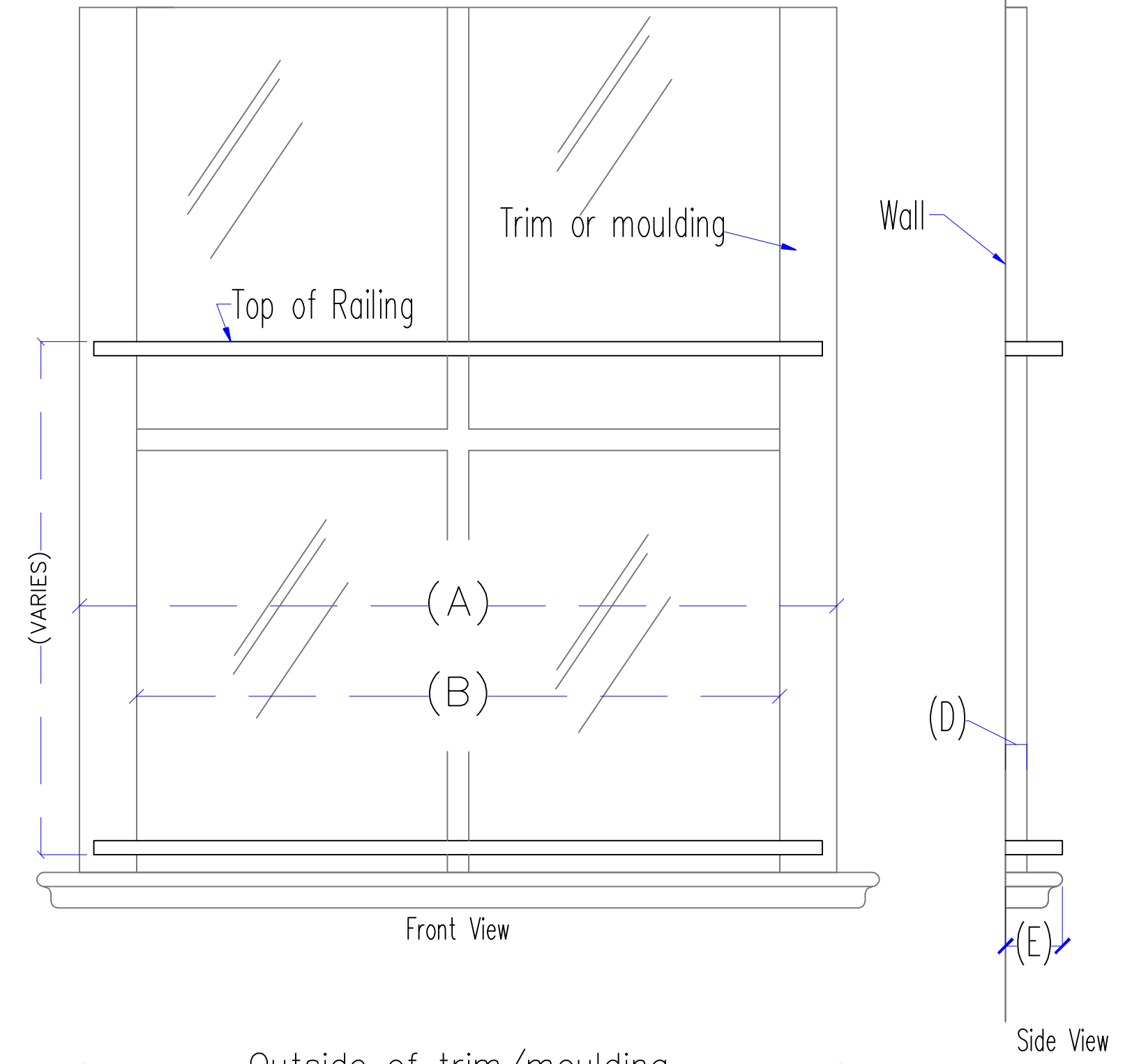


Outside of Trim/Moulding Option  
Top View



Center of Trim/Moulding Option  
Top View

Please fill in all applicable measurements:

- A. Outside of Trim/Moulding ( \_\_\_\_\_ )
- B. Base Moulding Extention ( \_\_\_\_\_ )
- C. Distance Out for Railing ( \_\_\_\_\_ )
- D. Trim/Moulding Thickness ( \_\_\_\_\_ )
- E. Base Moulding Out - Wall ( \_\_\_\_\_ )

\* We will provide (C) unless customer provides for us.

False Balcony  
Railing  
Measurements



Ph: 904-292-0933  
Fx: 904-292-0588  
www.SEOIC.com

Please fill in all applicable measurements:

- A. Outside of Trim/Moulding ( \_\_\_\_\_ )
- B. Inside of Trim/Moulding ( \_\_\_\_\_ )
- C. Distance Out for Railing ( \_\_\_\_\_ )
- D. Trim/Moulding Thickness ( \_\_\_\_\_ )
- E. Base Moulding Out - Wall ( \_\_\_\_\_ )
- F. Trim/Moulding Thickness ( \_\_\_\_\_ )

\* We will provide (C) unless customer provides for us.