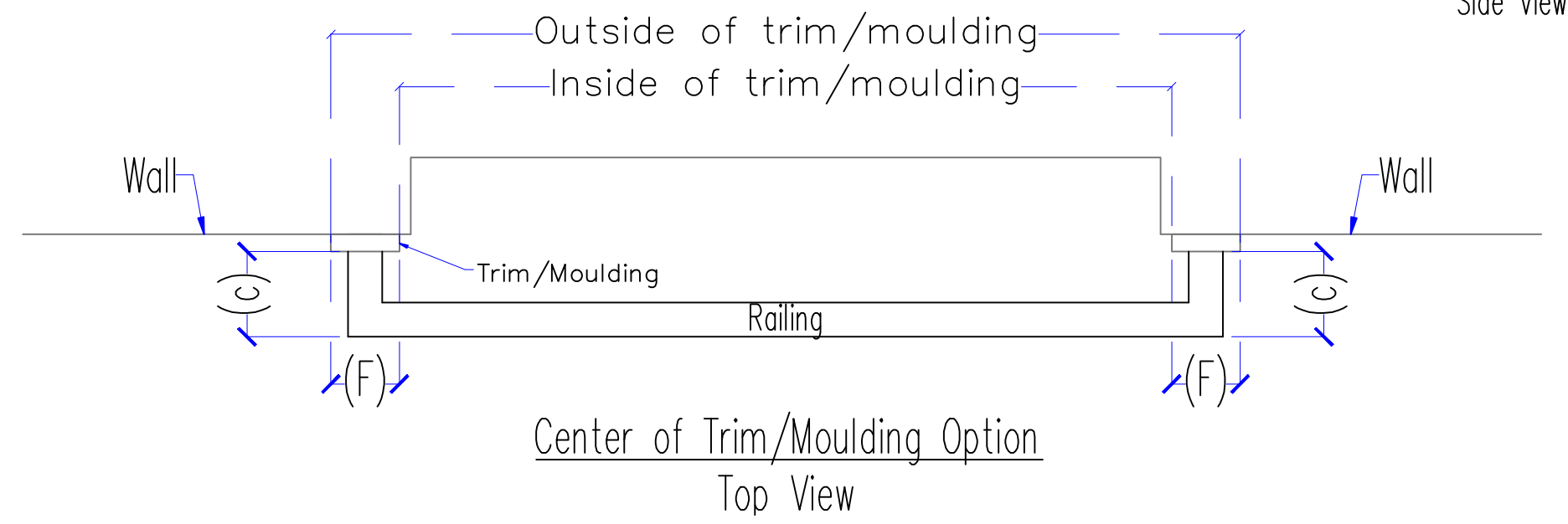
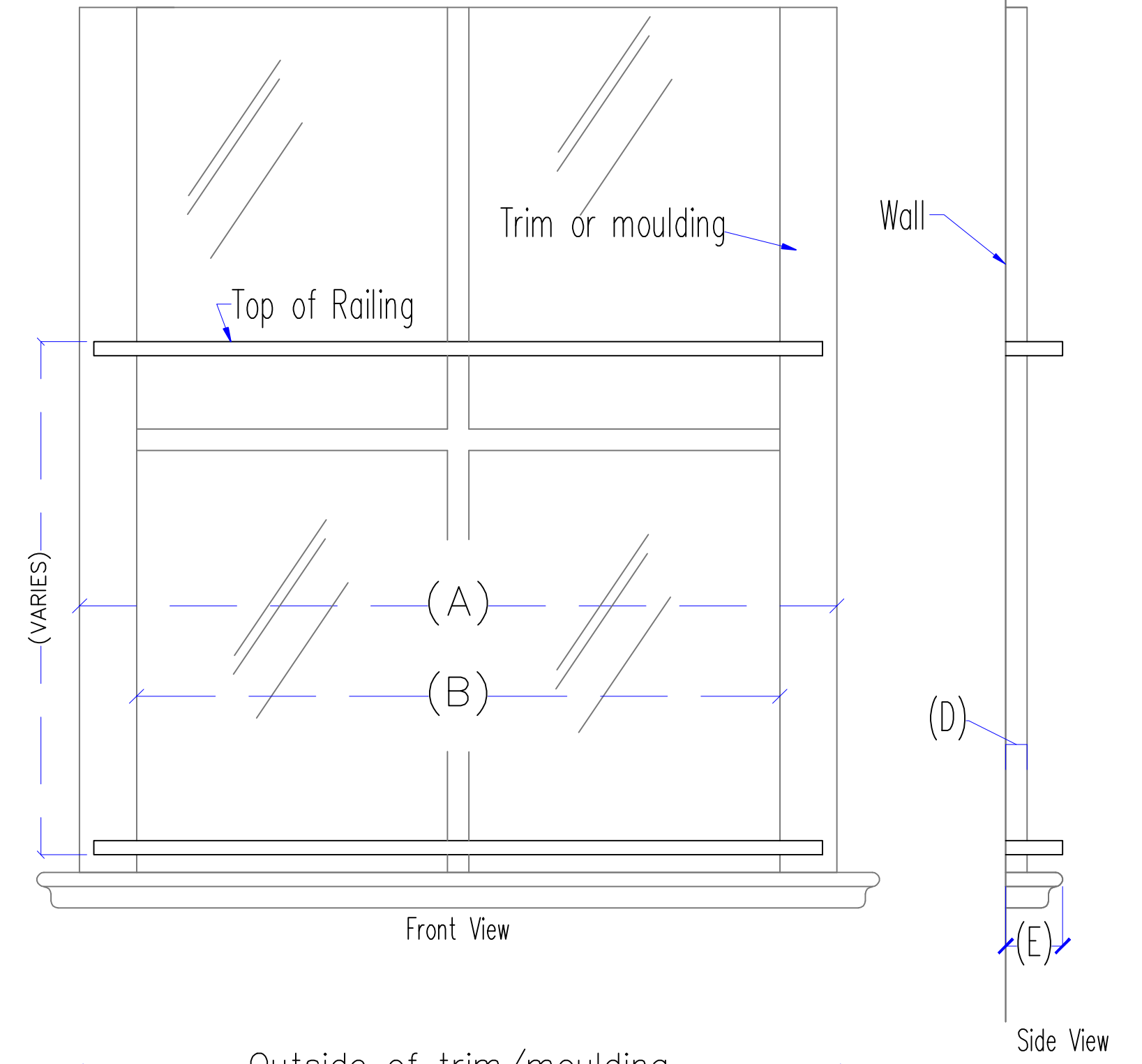


Outside of Trim/Moulding Option
Top View



Center of Trim/Moulding Option
Top View

Please fill in all applicable measurements:

- A. Outside of Trim/Moulding (_____)
- B. Base Moulding Extention (_____)
- C. Distance Out for Railing (_____)
- D. Trim/Moulding Thickness (_____)
- E. Base Moulding Out - Wall (_____)

* We will provide (C) unless customer provides for us.

False Balcony Railing Measurements



Ph: 904-292-0933
 Fx: 904-292-0588
 www.SEOIC.com

Please fill in all applicable measurements:

- A. Outside of Trim/Moulding (_____)
- B. Inside of Trim/Moulding (_____)
- C. Distance Out for Railing (_____)
- D. Trim/Moulding Thickness (_____)
- E. Base Moulding Out - Wall (_____)
- F. Trim/Moulding Thickness (_____)

* We will provide (C) unless customer provides for us.