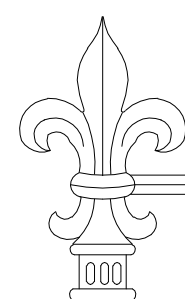
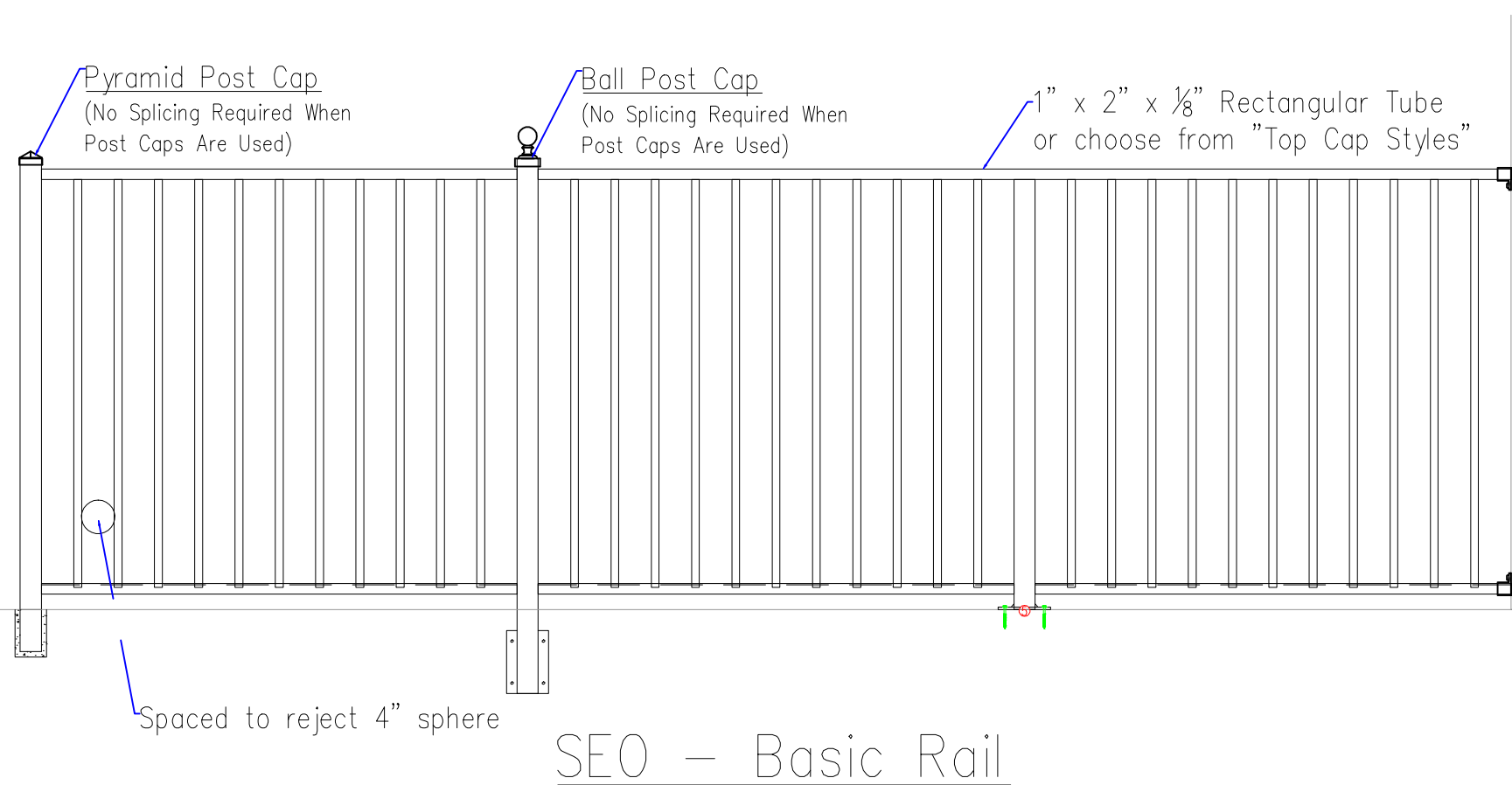
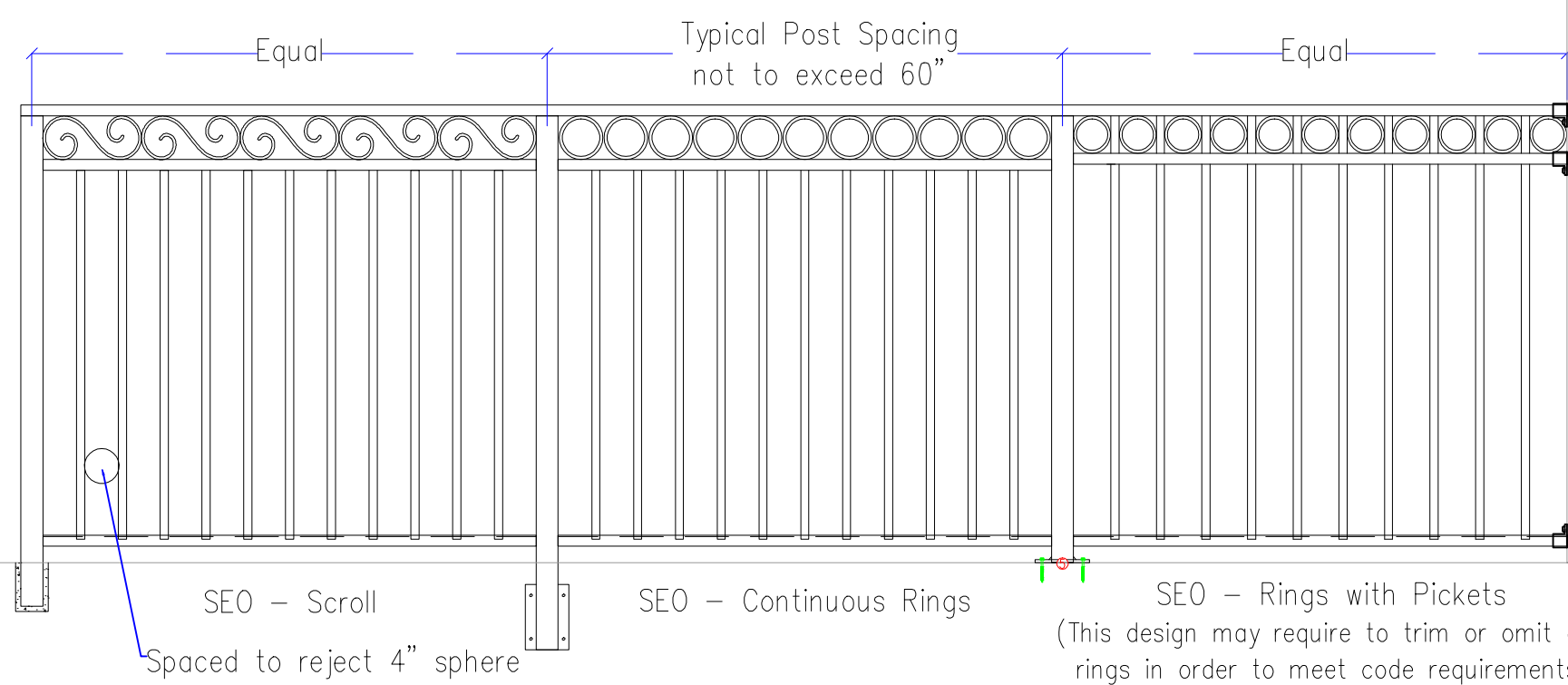


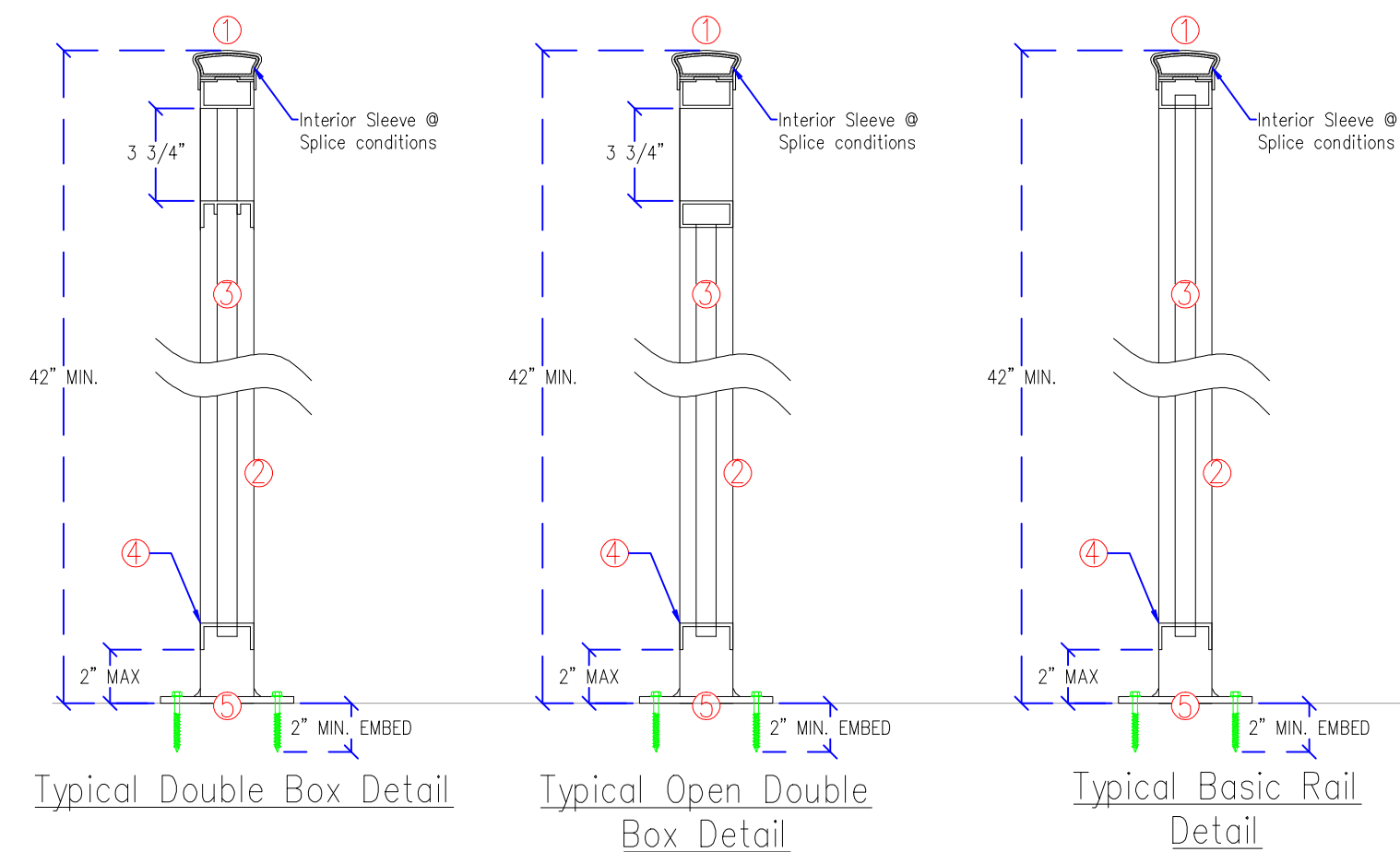
Standard Railing Styles



Standard Railing Styles

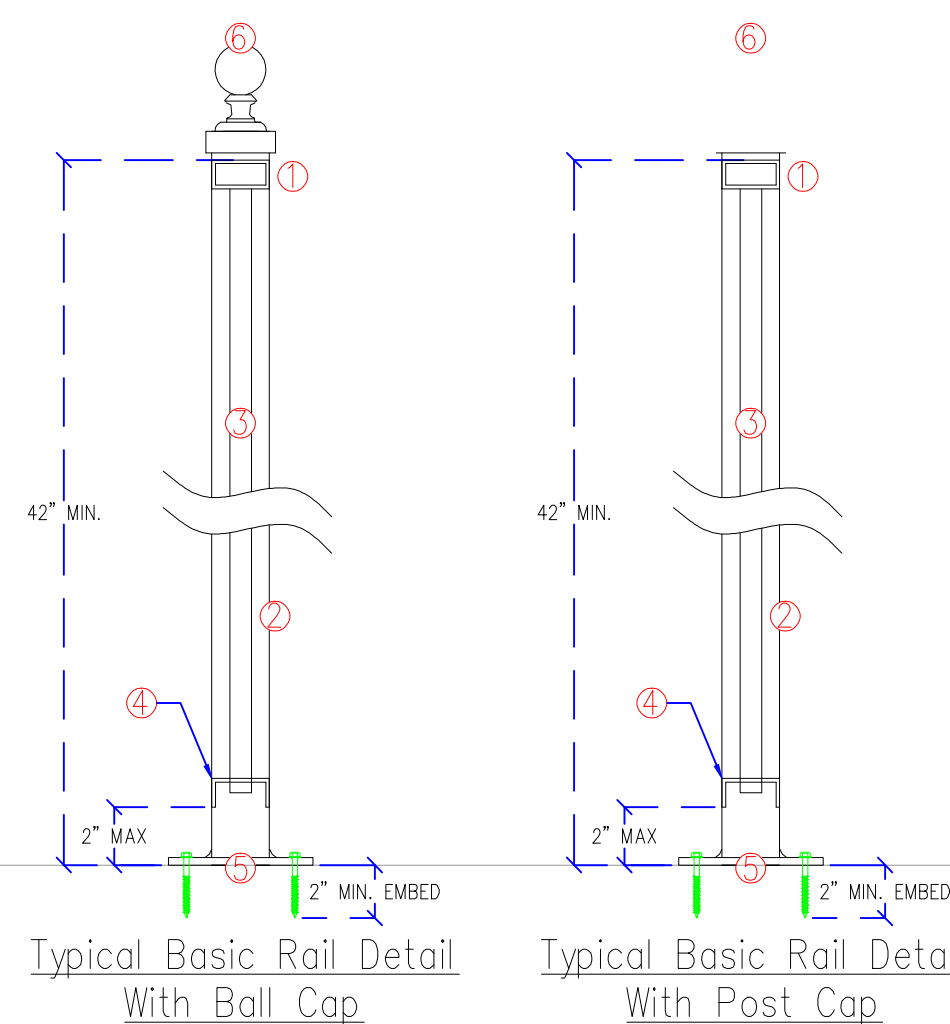
SCALE: 3/4" = 1'-0"

- NOTES:**
- 1) **Material:** EXTRUDED ALUMINUM GRADE 6000 SERIES T5 OR T6 AS AVAILABLE
 - 2) **FABRICATION:** ALL RAIL SECTIONS TO BE WELDED.
 - 3) **FINISH:** ALL PRODUCTS TO BE POWDER COATED STANDARD COLOR UNLESS OTHER FINISHING METHOD IS REQUIRED.



Materials

- 1) 1 x 2 rectangular tube
- 2) 2" SQ. x
- 3) 3.4" SQ. x .093 pickets
- 4) 2" x 1" x .125 punched channel
- 5) 5" x 5" x 1/4" Flange Plate
- 6) Ball Cap or Pyramid Cap (if applicable)



Materials

- 1) 1 x 2 rectangular tube
- 2) 2" SQ. x
- 3) 3.4" SQ. x .093 pickets
- 4) 2" x 1" x .125 punched channel
- 5) 5" x 5" x 1/4" Flange Plate
- 6) Ball Cap or Pyramid Cap (if applicable)

Firm Name and Address

Southeastern
 Ornamental Iron Co., Inc.

Ph: 904-292-0933
 Fx: 904-292-0588
 www.SEOIC.com

Project Name and Address

Standard Rail Styles

Project	Rail Specs	Sheet	
Date	4-07-07		01
Scale	NTS		